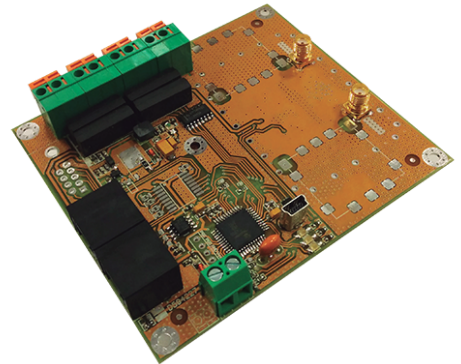
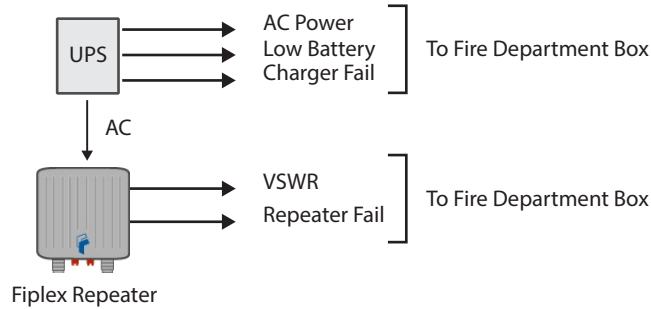


# NFPA ALARMS BOARD FOR SIGNAL BOOSTERS

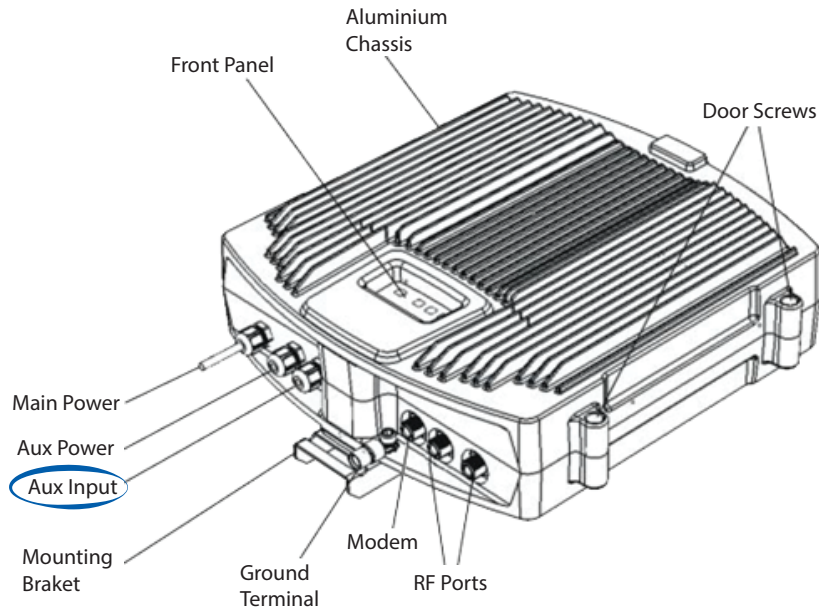
## Diagram



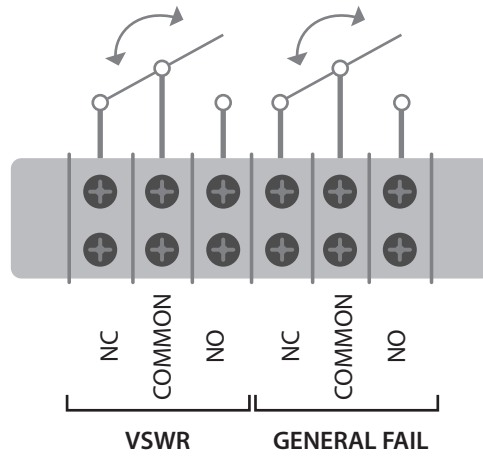
Note: According to NFPA72 version 2010, the UPS device shall be configured in compliance with NFPA111, Standard Power Systems, for a Type 0, Class 24, Level 1 system.

## Repeater Alarm Pinout

Use Aux Input inlet to access alarm panel.



# NFPA ALARMS BOARD FOR SIGNAL BOOSTERS



	NO ALARMS		ALARMED	
	NC to COMMON	NO to COMMON	NC to COMMON	NO to COMMON
VSWR	CLOSED	OPEN	OPEN	CLOSED
GENERAL FAIL	CLOSED	OPEN	OPEN	CLOSED

This option features dual type alarms output, normally closed (NC) and normally open (NO), what provides high flexibility for the Fire Department alarms box connection.