

OPTION RM-CT

Brackets for 19" rack mounting

Product Features

- To mount M, H and DH Series on a 19" rack
- Includes: Brackets
Stand offs, 2 pieces
M6 screws, 2 pieces

Diagram

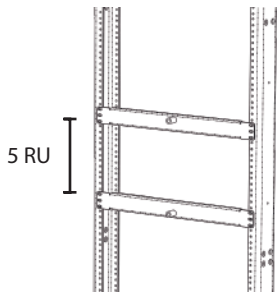


"Flat" format

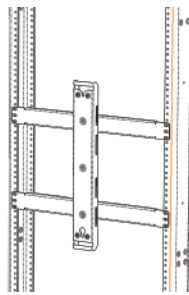


"Deep" format

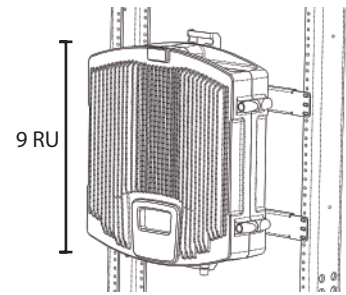
Mounting Procedure, "Flat"



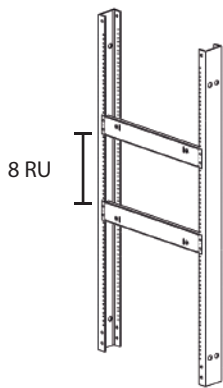
Mount RM-TC in the rack.



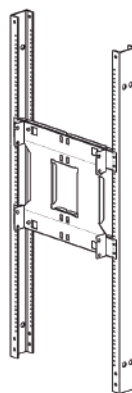
Fix the repeater bracket with M6 screws (provided with RM-TC).



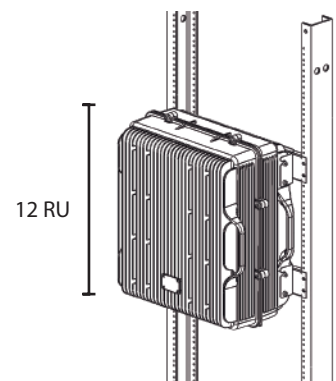
Mount and fix the repeater.



Mount RM-TC in the rack.

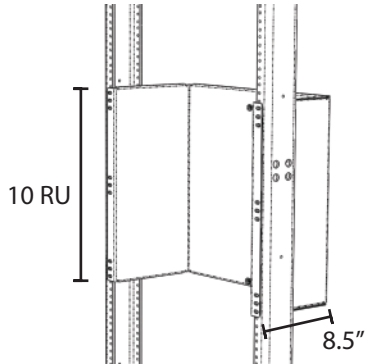


Fix the repeater bracket with M6 screws (provided with RM-TC).

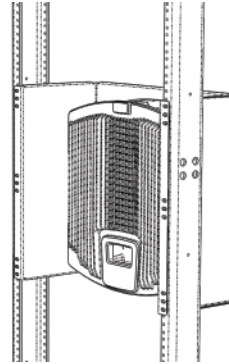


Mount and fix the repeater.

Mounting Procedure, "Deep"



Mount RM-CT in the rack.



Mount and fix the repeater.

Ordering Information		
PART#	BDA Series	DAS Series
RM-CT Deep	H724V - H730V - HS24V HS30V - M318V - H336V DH336 - DH336F	DH3 Series
RM-CT Flat	All BDA Series	All DAS Series