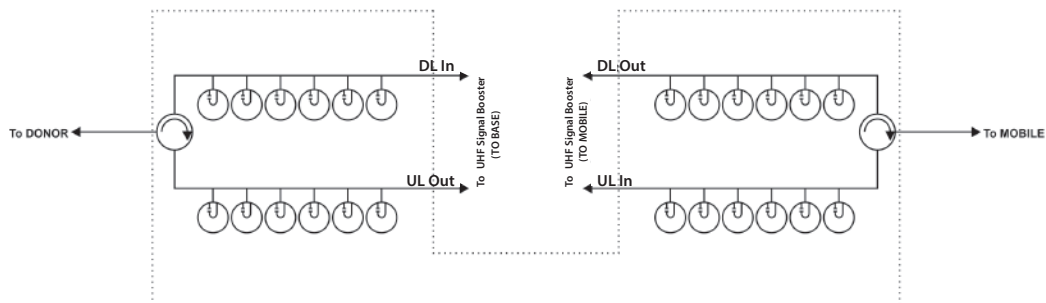
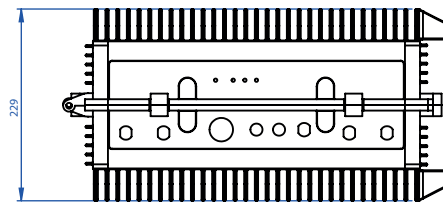
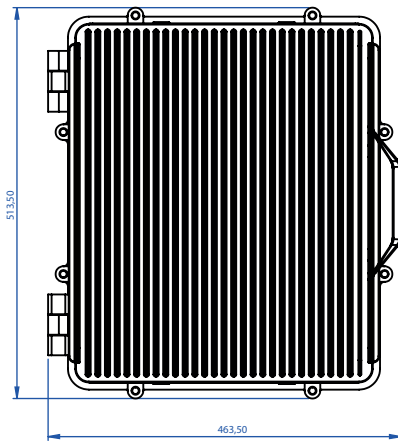


UHF SIGNAL BOOSTER EXTERNAL BRANCHING

MBC45-2-FHV



Specification	Value
Type	External branching for UHF Signal Boosters, integrated both ends.
Downlink BW	3.00MHz
Uplink BW	3.00MHz
UL to DL bandguard	2.00MHz min
Number of I/O ports	1 for UL IN, 1 for UL OUT, 1 for DL IN, 1 for DL OUT, 1 for antenna to base, 1 for antenna to mobile
Insertion loss	3dB max
Between links isolation	>70dB
Return loss	15dB min
Impedance	50 Ω
Connectors	N(f)
Temperature range	-22° to +140° F • -30° to +60° C
Humidity	90% non condensing
Dimension	20 x 18.2 x 9 in • 508 x 462 x 228 mm
Environmental	NEMA4X (IP67)
Mounting	Brackets for pipe / wall mount
Weight	30lbs • 13.6 kg
Options	RM-CT for 19in rack mounting (13RU)



DOC BD283.02 - 28042016
 Fiplex is a registered trademark of Fiplex Communications, Inc.
 Fiplex Communications, Inc. reserves the right to change specifications without prior notice.