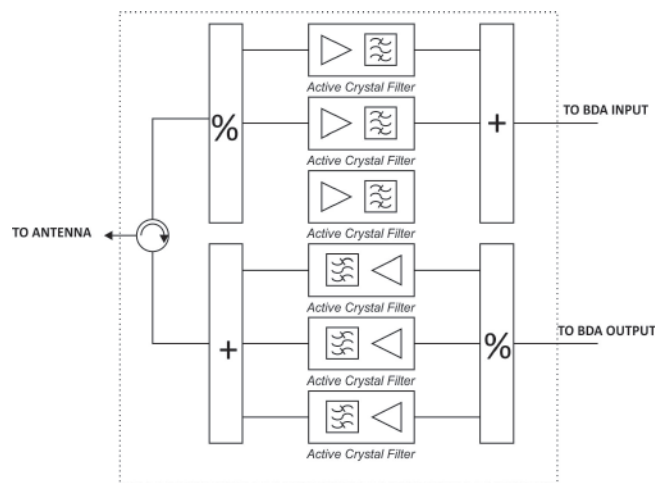
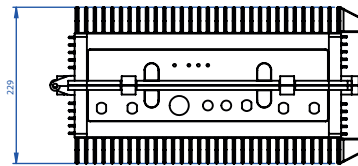
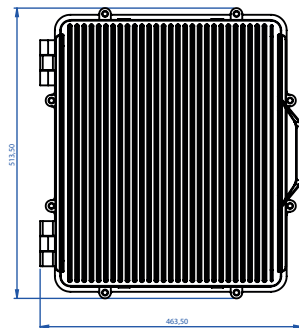


VHF CHANNELIZED SIGNAL BOOSTER EXTERNAL BRANCHING, 3 CHANNELS

MBC15-3-ACF25



Specification	Value
Type	Front End Channelized Combining System
Band	150-174MHz
Downlink Channels, in MHz	3 channels, factory preset
Uplink Channels, in MHz	3 channels, factory preset
Channel filters BW	12.5 or 25 KHz, factory preset
Gain to BDA in	5dB
Gain to BDA out	25dB
Composite Output power as DL out	+18dBm (13dBm per carrier)
Composite Output power as UL out	+18dBm (13dBm per carrier)
UL to DL isolation	>70dB
VSWR	<1.5:1 all ports
Connectors	N (f)
Environmental	NEMA4X
Dimensions	20 x 18 x 9 in • 508 x 457,2 x 228,6 mm
Weight	55lbs
Temp Range	-22 to 140°F • -30 to +60°C
Mounting	Pipe or wall as standard
Power	110-220VAC 50/60Hz



DOC BD286.01 - 08/04/2016
 Fiplex is a registered trademark of Fiplex Communications, Inc.
 Fiplex Communications, Inc. reserves the right to change specifications without prior notice.