

# UHF QUADPLEXER, DUAL 453-467 MHz

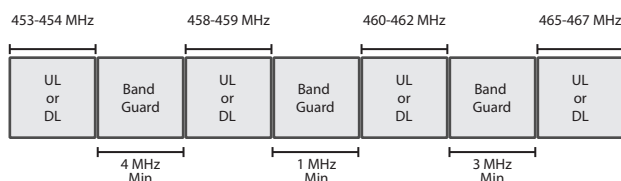
**MBC45-4-FBP**

## Product Features

- External branching for UHF dual subband BDAs M Series, H series or DH Series
- For 453-454 / 458-459 / 460-462 / 465-467 MHz applications
- Combiners both UL and both DL into the same connector
- Both ends into the same box.
- NEMA4X



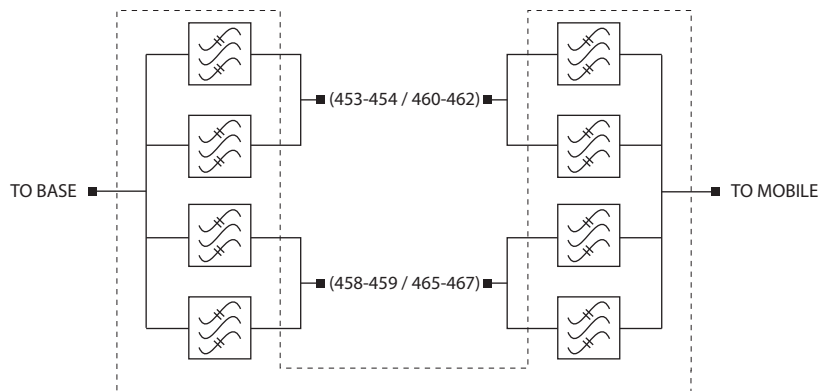
## Frequency Distribution



## Specifications

## Value

|                                |   |
|--------------------------------|---|
| Frequency distribution         | 453-454 / 458-459 / 460-462 / 465-467 MHz   |
| Insertion loss                 | 5dB max                                     |
| Between bands isolation        | >70dB                                       |
| Power handling capability      | 50W CW                                      |
| Impedance                      | 50Ω   |
| Connectors                     | N(f)  |
| Minimum frequency distribution | See diagram                                 |
| Mounting                       | Wall Mount                                  |
| Dimension                      | 20.2 x 18.2 x 9 inches • 514 x 462 x 230 mm |
| Temperature range              | -4° to 158° F • -20° to +70° C              |



DOC BD291\_01 - 01062016  
 Fiplex is a registered trademark of Fiplex Communications, Inc.  
 Fiplex Communications, Inc. reserves the right to change specifications without prior notice.