

UHF MULTI SUB BAND COMBINER

400-512 MHz

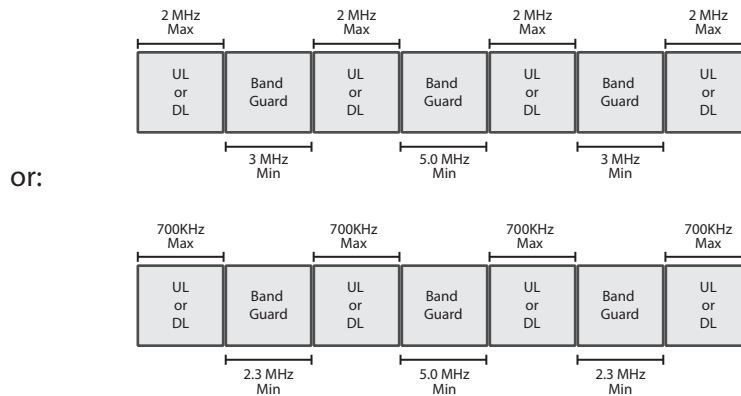
MBC45-4-DCL-ISO

Product Features

- External branching for UHF dual subband BDAs M Series, H series or DH Series
- Used for 3MHz UL to DL separation
- Combiners both UL and both DL into the same connector
- Both ends into the same box.
- NEMA4X



Frequency Distribution



Specifications

Value

Frequency distribution	400 – 512 MHz
Insertion loss	5dB max, each end
Pass BW, UL and DL	2 MHz max
Connectors	N(f)
Minimum frequency distribution	See diagram
Mounting	Wall Mount
Dimension	20.2 x 18.2 x 9 inches • 514 x 462 x 230 mm
Temperature range	-22° to 140° F • -30° to +60° C

