

# DC INJECTORS

## DCI Series

### Product Features

Fiplex DCI Series are low loss high performance DC injectors, intended to be used when DC power must be coupled to a RF coaxial transmission line.

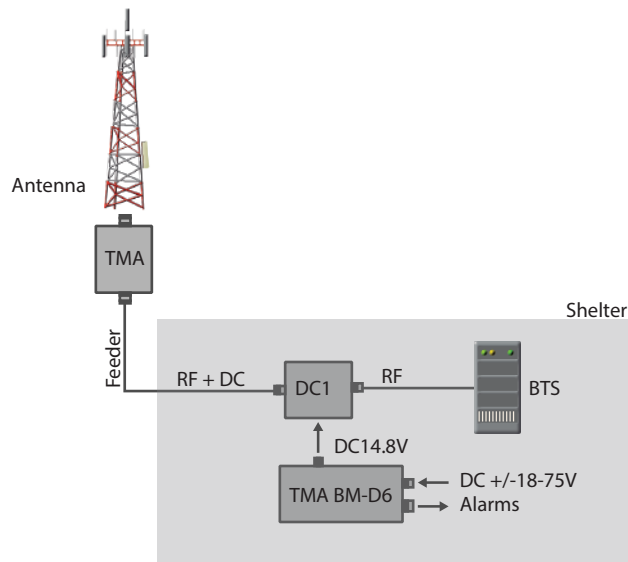
**P** Sub-series are used when high power RF signals are present in the coaxial line, up to 500W CW. This sub-series has a DC only built-in lightning protection, employing gas discharger tubes (10kA, 8/20uS - 10 x's).

**L** Sub-series are small, low cost units intended to be used when small RF signals are present in the coaxial line (<10W).

RF connectors are N and DIN 7/16 types.



DCI-080NP



### Specification

	DCI-080DP	DCI-080NP
Frequency range	698 - 2690 MHz	698 - 2690 MHz
Type	Outdoor (IP65)	Outdoor (IP65)
RF power thru	< 500W	< 500W
Insertion loss	0.3 dB	0.3 dB
Return loss	25 dB	25 dB
DC power in / out	48V / 1A	48V / 1A
RF connectors	DIN 7/16	N type
Lighting protection	Gas Discharge	Gas Discharge
Temperature range	-40° to 158° F -40° to +70° C	-40° to 158° F -40° to +70° C
Dimension	4 x 4 x 1.5 inches 101.6 x 101.6 x 38.1 mm	4 x 4 x 1.5 inches 101.6 x 101.6 x 38.1 mm
Weight	0.8 lbs • 0.4 kg	0.8 lbs • 0.4 kg

DOC TM003.07 - 13042016  
 Fiplex is a registered trademark of Fiplex Communications, Inc.  
 Fiplex Communications, Inc. reserves the right to change specifications without prior notice.

