

# HIGH POWER DIRECTIONAL COUPLER

## 698 - 2690 MHz

DC-W2x

### Product Applications

Fiplex RSA Series of RF Directional Couplers are passive devices designed to provide unequal power distribution to the output ports.

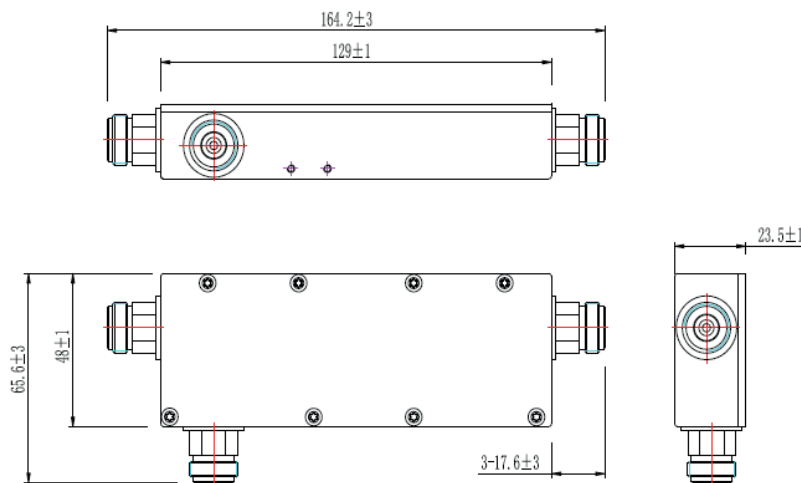
Due to the internal configuration, this devices have a low VSWR value in all ports (less than 1.3:1, based on 50 ohms characteristic impedance) and low incidental insertion loss. Standard coupling values are 6dB, 10dB, 15dB, 20dB and 30dB, other power ratios available upon request.



### Specification

### Value

Product Number	DC-W2A	DC-W2C	DC-W2D	DC-W2E	DC-W2F
Coupling(dB)	6	10	15	20	30
Accuracy(dB)	±0.8	±1.0	±1.2	±1.2	±1.5
Insertion Loss(dB)	≤1.75	≤0.80	≤0.50	≤0.40	≤0.40
Isolation	≥26	≥28	≥32	≥35	≥45
Freq	698 - 2690 MHz				
VSWR	≤1.25				
Power Rating	300W (average Per Port)				
Impedance	50 ohm				
Connector	N-female				
Color	Red-plated				
Operating Temperature	-25°C to +75°C				
Weight	0.38 kg				



DOC 5C140.01 - 10202020 - DMC  
 Fiplex is a registered trademark of Fiplex Communications, Inc.  
 Fiplex Communications, Inc. reserves the right to change specifications without prior notice.