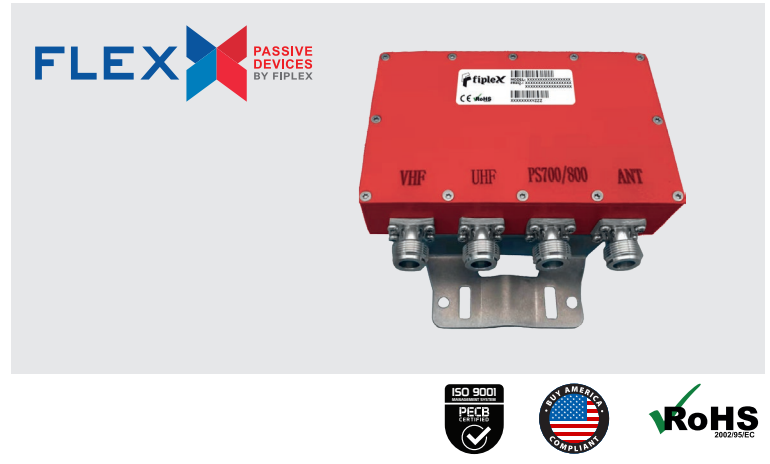


MULTIBAND COMBINER

VHF + UHF + 700/800 MHz

MBC-312



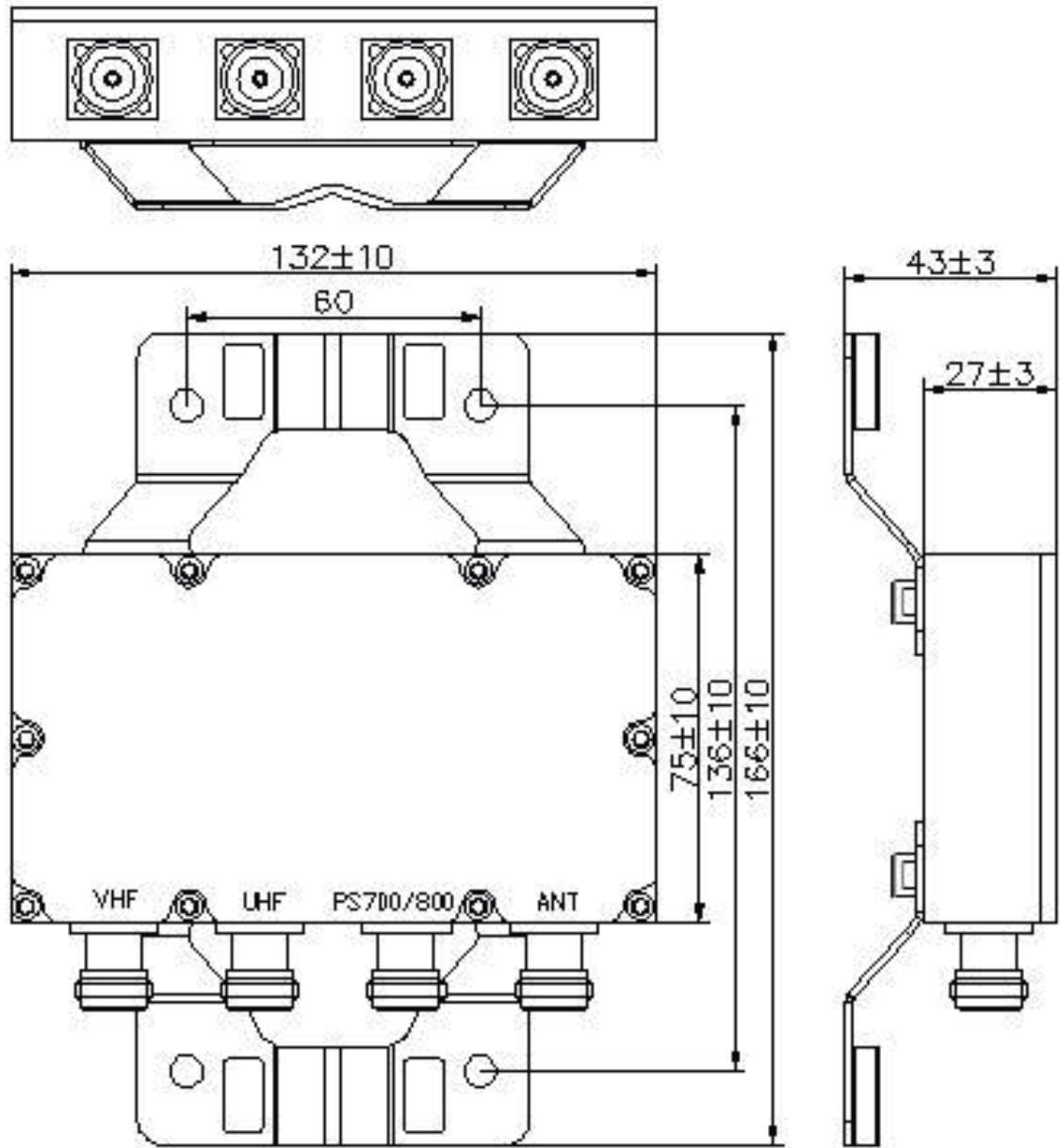
Specification

Value

Type	Multiband Combiner
Input Bands	88 - 174 MHz 380 - 510 MHz 760 - 870 MHz
Number of inputs per band	1
Number of multiband outputs	1
Insertion loss	<= 0.5 @ 88 - 174 MHz <= 0.6 @ 380 - 510 MHz <= 0.6 @ 760 - 870 MHz
Between bands isolation	>50 dB
Return loss	18 dB min
Impedance	50 ohms
Power input	50W average per port
Connectors	N (f)
Temperature range	-40° to +85° C
Humidity	95% non condensing
Dimension	5.19 x 2.9 x 1.0 in • 132 x 75 x 27 mm (without brackets)
Housing	IP67, Outdoor Use
Mounting	Wall mount / Pipe mount
MTBF	>1,000,000 hours

MULTIBAND COMBINER
VHF + UHF + 700/800 MHz

MBC-312



DOC 5C141.01 - 10202020 - DMC
Fiplex is a registered trademark of Fiplex Communications, Inc.
Fiplex Communications, Inc. reserves the right to change specifications without prior notice.